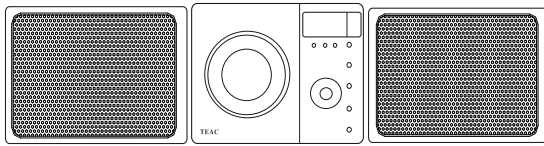


TEAC



SERVICE MANUAL

MC-DX220iDAB

MICRO Hi-Fi SYSTEM



NOTES

- PC board shown are viewed from parts side.
- The parts with no reference number or no parts number in the exploded views are not supplied.
- As regards the resistors and capacitors, refer to the circuit diagrams contained in this manual.
- ⚠ Parts marked with this sign are safety critical components. they must be replaced with identical components - refer to the appropriate parts list and ensure exact replacement.
- Parts of [] mark can be used only with the version designated.
[E]: Europe [UK]: U.K

CONTENTS

1 SPECIFICATIONS	2
2 EXPLODED VIEW AND PARTS LIST	3
3 PC BOARDS AND PARTS LISTS	6
4 WIRING DIAGRAM	14
5 INCLUDED ACCESSORIES	16

MC-DX220iDAB

1 SPECIFICATIONS

Amplifier Section

Output Power (L+R)	5W + 5W
Output Power Subwoofer:	15 W
Input Sensitivity	300mV
Frequency Response :	50 to 20,000 Hz

Radio Section (FM)

Frequency Range	87.5 MHz to 108.0 MHz
Sensitivity (S/N30dB)	20dBuV

Radio Section (DAB)

Frequency Range	Band III: 5A to 13F (174.928 MHz to 239.200 MHz)
-----------------	---

CD Player Section

Frequency Response	20 to 20,000 Hz (+/-1dB)
Signal-to-Noise Ratio	55 dB
Wow and Flutter	Unmeasurable

SPEAKER SYSTEM Section

Type :	Full range flat type
Impedance :	4 ohms
Subwoofer:	8 ohms

GENERAL

Power Requirements:	AC230V, 50 Hz
Power Consumption:	80 W
Dimension (W x H x D):	
Main Unit	255 x 169.5 x 115 mm
L & R Speaker	210 x 169.5 x 81mm
Subwoofer	160 x 245 x 335mm
Weight: (net)	
Main Unit	1.4 kg
L & R Speaker	0.7 kg(each)
Subwoofer	5.3 kg

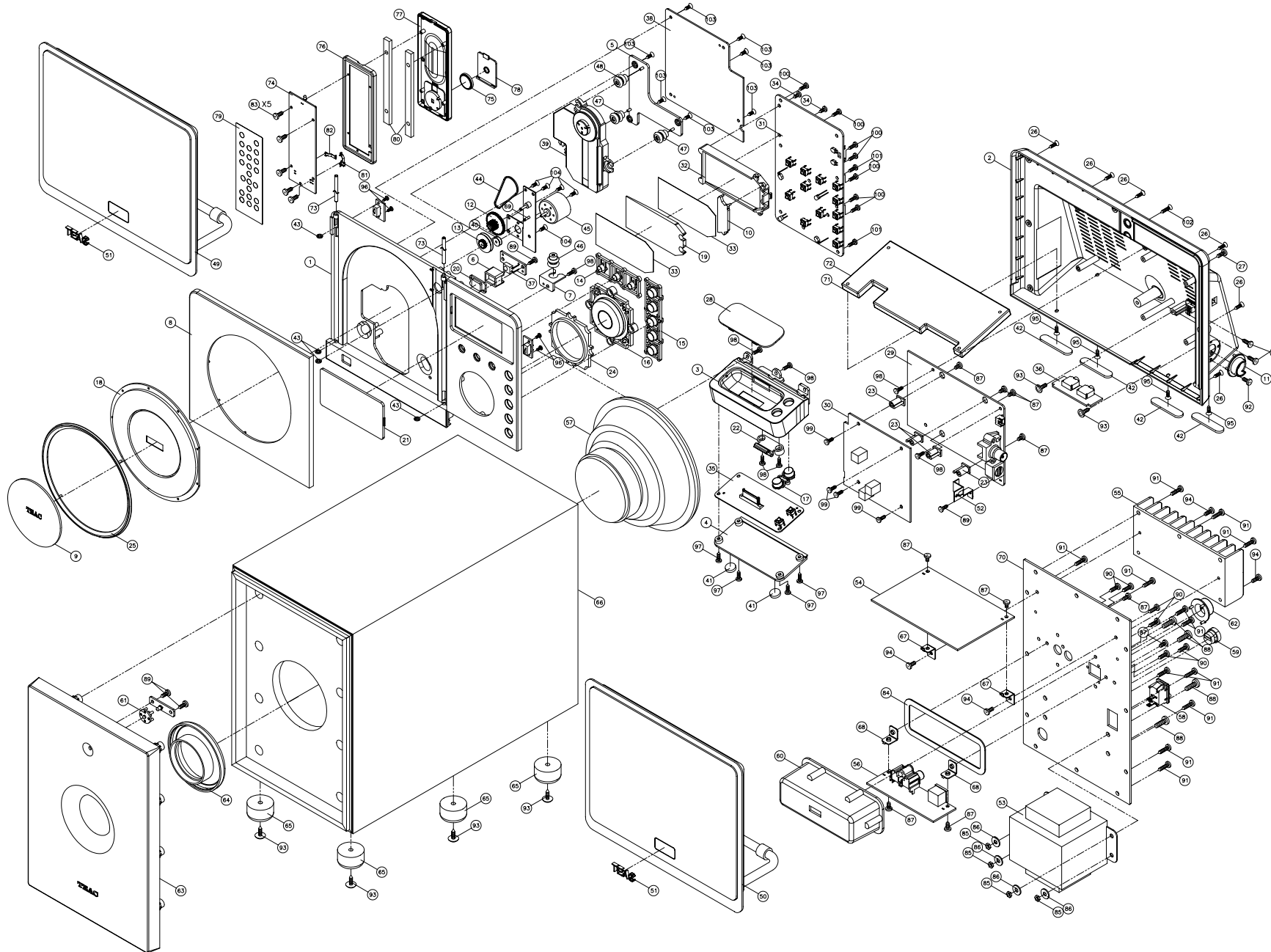
Standard Accessories:

Remote control unit x 1
Battery for remote control unit x 1
Subwoofer cable x 1
Speaker cable x 2
DAB/FM antenna x 1
Stereo mini plug cable x 1
Dock adaptor x 8 (adaptor "60GB(color)+ Photo 40GB/60GB" premounted)
Cover for the dock x 1
Wall mount brackets x 4
Screw (short) x 8
Screw (long) x 4
Tapered plastic wall anchor x 4
Guide sheet for wall mounting x 2
Owner's manual x 1
Warranty card x 1

- Design and specifications are subject to change without notice.
- Illustrations may differ slightly from production models.
- Weight and dimensions are approximate.

2. EXPLODED VIEWS AND PARTS LIST

EXPLODED VIEW-1




MC-DX220iDAB

EXPLODED VIEW-1

REF. NO	PARTS NO.	DESCRIPTION	REMARKS
1-1	56-04DX2200A020	FRONT CABINET	
1-2	56-05DX2201A010	REAR CABINET	
1-3	56-07DX2200A010	IPOD FRONT CABINET	
1-4	56-07DX2201A000	IPOD BOTTOM CABINET	
1-5	56-07DX22B19000	CD DESK BRACKET	
1-6	56-07DX22048000	REMOTE BRACKET	
1-7	56-07DX22058000	SHOCK ABSORBER BRACKET	
1-8	56-14DX2200A020	CD DOOR - SILVER	
1-9	56-22DX2200A000	CD DOOR COVER	
1-10	56-22DX22018000	LED LEW COVER	
1-11	56-22DX2202A000	PROTECT COVER	
1-12	56-24DX01500000	CD DOOR GEAR	
1-13	56-24DX01510000	STRAP GEAR	
1-14	56-54DX2200A000	FUNCTION KNOB GROUP -1	
1-15	56-54DX2201A010	FUNCTION KNOB GROUP -2	
1-16	56-54DX2202A010	PLAY KNOB GROUP	
1-17	56-54DX2203A010	IP VOL KNOB	
1-18	56-57DX22000000	CD DOOR LENS	
1-19	56-57DX22010000	BACKLIGHT LENS	
1-20	56-57DX22022000	REMOTE LENS	
1-21	56-57DX22030010	DISPLAY LENS	
1-22	56-64DX22008000	LATCH	
1-23	56-67DX22B09000	PCB BRACKET	
1-24	56-78DX22009000	SHINE RING	
1-25	56-78DX2202G000	CD DOOR RING	
1-26	66-140530212321	SELF-TAPPING SCREW TA/KH 3X12MM	
1-27	66-150530210321	SELF-TAPPING SCREW TB/KH 3X10MM	
1-28	56-22SRLX10A000	IPOD COVER	
1-29	05-01DX220I0020	MAIN PCB ASSY	
1-30	05-02DX220I0010	RADIO PCB ASSY	
1-31	05-04DX220I0010	DISPLAY PCB ASSY	
1-32	56-07DX22B09000	BACKLIGHT BRACKET	
1-33	57-26DX22000020	FILTER SHEET	
1-34	66-140326180321	SELF-TAPPING SCREW TA/PH2.6X8MM	
1-35	05-08DX220I0000	IPOD SOCKET PCB ASSY	
1-36	05-09DX220I0000	HP PCB ASSY	
1-37	05-27DX220I0000	SENSOR PCB ASSY	
1-38	05-30DX220I0010	CD PCB ASSY	
1-39	20-70DA23Z10000	CD MECHANISM	
1-40	56-760000000020	DOOR MOTOR PULLY	
1-41	58-263102300120	RUBBER FOOT	
1-42	58-26DX22000020	RUBBER FOOT W/TAPE	
1-43	58-26DX220I0020	RUBBER RING DIA5.4X3X0.8MM	
1-44	58-43DX01500020	DRIVE BELT DIA31X1MM	
1-45	58-44CD10I00020	DC MOTOR 5V	
1-46	58-61EX0M108120	SHOCK ABSORBER - GREY	
1-47	58-61MC23500020	SHOCK ABSORBER - GREY	
1-48	58-61MC23500120	SHOCK ABSORBER - BLACK	
1-49	19-50DX220I0020	SPEAKER BOX UNIT-L	
1-50	19-50DX220I0120	SPEAKER BOX UNIT-R	
1-51	56-58EXM5M0A000	LOGO BADGE	
1-52	61-11CDX0900020	DS METAL PLATE	

MC-DX220iDAB

EXPLODED VIEW-1

REF. NO	PARTS NO.	DESCRIPTION	REMARKS
1-53	 18-205DX0150120	H/TRANSFORMER EI66 230V/50HZ - [E,UK]	
1-54	05-07DX220I0010	SUBWOOFER POWER PCB ASSY	
1-55	61-48DX01500020	HEAT SINK - A	
1-56	05-08DX220I0010	RCA/D-S JACK PCB ASSY	
1-57	19-021153300120	SPEAKER 8 OHM 30W	
1-58	41-172111000310	SWITCH	
1-59	43-500000002020	AC CORD BUSHING	
1-60	56-22DX0150B000	PCB COVER	
1-61	56-57CDX0936000	LIGHT LENS - SUBWOOFER BOX	
1-62	56-78CD10I0B000	SAFEGUARD RING/SUB	
1-63	56-85CD10I0A010	SUBWOOFER PANEL	
1-64	56-87CDX0908000	PLASTIC TUBE	
1-65	58-263253150020	RUBBER FOOT DIA25MM	
1-66	58-73DX01500021	SUBWOOFER BOX	
1-67	61-11V6000000020	PCB BRACKET	
1-68	61-11V820010020	PCB FIX BRACKET	
1-69	61-11DX01500321	MOTOR BRACKET	
1-70	61-33DX220I0120	SUBWOOFER REAR PANEL	
1-71	61-11DX22000122	WEIGHT STEEL - 159X67.5X4MM	
1-72	61-11DX22000222	WEIGHT STEEL - 159X67.5X2MM	
1-73	61-80DX01500020	FERRUM SHAFT	
1-74	05-13DX220I0000	REMOTE PCB ASSY	
1-75	51-021301000080	LITHIUM BATTERY CR2032	
1-76	56-43DX0150A010	REMOTE FRONT CABINET	
1-77	56-43DX0151B010	REMOTE REAR CABINET	
1-78	56-44DX0150B010	REMOTE BATTERY DOOR	
1-79	57-33DX 220I0120	REMOTE PLATE	
1-80	61-11DX01500220	REMOTE AGGRAVATE FERRUM	
1-81	61-25DX01500021	BATTERY PLATE (+)	
1-82	61-25DX01500120	BATTERY PLATE (-)	
1-83	66-140520170121	SELF-TAPPING SCREW TA/KH2X7MM	
1-84	58-58DX01500320	CUSHION 106X40X1MM	
1-85	67-021400000020	NUT M4MM	
1-86	68-112403101000	METAL WASHER 4X10X1MM	
1-87	66-120230160121	MACHINE SCREW MS/BH3X6MM (BLK)	
1-88	66-120240212121	MACHINE SCREW MS/BH4X12MM (BLK)	
1-89	66-140230210321	SELF-TAPPING TA/BH3X10MM	
1-90	66-140230212121	SELF-TAPPING TA/BH3X12MM (BLK)	
1-91	66-140230214121	SELF-TAPPING TA/BH3X14MM (BLK)	
1-92	66-120330160321	MACHINE SCREW MS/PH3X6MM	
1-93	66-141430216121	SCREW TA/BWH3X16MM (BLK)	
1-94	66-150230180123	HARDEN SCREW BTTB3X8MM (BLK)	
1-95	66-120526210321	MACHINE SCREW MS/KH2.6X10MM	
1-96	66-140220150121	SELF-TAPPING TA/BH2X5MM (BLK)	
1-97	66-140226212311	SELF-TAPPING TA/BH2.6X12MM (BLK)	
1-98	66-140230180321	SELF-TAPPING TA/BH3X8MM	
1-99	66-140330180321	SELF-TAPPING TA/PH3X8MM	
1-100	66-140330210321	SELF-TAPPING TA/PH3X10MM	
1-101	66-140330212321	SELF-TAPPING TA/PH3X12MM	
1-102	66-140330214321	SELF-TAPPING TA/PH3X14MM	
1-103	66-140526180311	SELF-TAPPING TA/KH2.6X8MM	
1-104	66-140226180321	SELF-TAPPING TA/BH2.6X8MM	

MC-DX220iDAB

3 PC BOARDS AND PARTS LIST

MAIN PCB ASSY








REF. NO	PARTS NO.	DESCRIPTION	REMARKS
	05-01DX220I0020	MAIN PCB ASSY	
	48-01DX220I1220	MAIN PCB	
CN1,501-503	43-022200130120	WAFER 2MM 3 PIN	
CN2	43-022200120120	WAFER 2MM 2PIN	
CN504	43-022200140120	WAFER 2MM 4 PIN	
CN506	43-012200130120	WAFER 2MM 3 PIN	
CN508	43-022200170120	WAFER 2MM 7PIN	
CN511	43-022100212221	WAFER 1MM 12 PIN	
CN-DC	43-462103003321	D-S TERMINAL #DSW-31	
D400,705	12-1N4148000125	DIODE 1N4148	
D601	12-1N5819000121	SMD RECTIFIER DIODE 1N5819	
D602,605,701, D702,703,708	12-1N40010000P1	DIODE 1N4001	
D603	12-SS1400000025	SMD DIODE SS14	
IC501	16-LC7534200021	IC - LC75342	
IC703	16-SC1308000021	IC - SC1308-01	
L404,406	38-013100050120	AXIAL INDUCTOR 10UH #EC-24	
Q401	11-8050C0000025	TR - 8050C	
Q405,406,501, Q502,,705	11-PMBT39040021	SMD TR - PMBT3904	
Q701,707	11-9015C0000021	TR - 9015C	
Q703	16-KA7808000221	IC - KA7808E	
Q704	11-KSB772YS0021	TR - KSB772YS	
Q706,715	11-9014C0000025	TR - 9014C	
Q712,713	11-8550C0000025	TR - 8550C	
Q716	11-KSD882Y00021	TR - KSD882Y	
ZD401	12-011470320125	ZENER DIODE 4.7V	
ZD501	12-011680320125	ZENER DIODE 6.8V	
ZD701	12-012110320125	ZENER DIODE 11V	

RADIO PCB ASSY

REF. NO	PARTS NO.	DESCRIPTION	REMARKS
	05-02DX220I0010	RADIO PCB ASSY	
	48-02DX220I1220	TUNER PCB	
	05-14DX220I0000	TUNER MODULE #060428-112923	
CN811	43-022100212221	WAFER 1MM 12P	
IC810	16-KA7808000221	IC - KA7808E	
IC811	16-KA7805000121	IC - KA7805E	
IC813	16-AIC111700021	IC - AIC1117-3.3V	
L802	38-012220050025	AXIAL INDUCTOR 2.2UH	
L803	38-013470050025	AXIAL INDUCTOR 47UH	

MC-DX220iDAB

SUBWOOFER POWER PCB ASSY

REF. NO	PARTS NO.	DESCRIPTION	REMARKS
	05-07DX220I0010	SUBWOOFER POWER PCB ASSY	
	48-07DX01500123	SUBWOOFER POWER PCB	
CN1	43-012200130120	WAFER 2MM 3 PIN	
CN2	43-012200190120	WAFER 2MM 9 PIN	
CN3	43-012250130120	WAFER 2.5MM 3 PIN	
CN4	43-012250150120	WAFER 2.5MM 5PIN	
CN5	43-012250140120	WAFER 2.5MM 4 PIN	
CN6	43-012250120120	WAFER 2.5MM 2 PIN	
C406	 26-017470950111	E.CAP - 4700UF/35V	
C701	 26-017470850121	E.CAP - 4700UF/25V	
C718,719	 26-017100750121	E.CAP - 1000UF/16V	
D301,706	12-1N40010000P1	RECTIFIER DIODE 1N4001	
D401-404	 12-1N5401000021	RECTIFIER DIODE 1N5401	
D701-704	 12-RL2020000021	RECTIFIER DIODE RL-202	
D705,707	12-1N4148000125	DIODE 1N4148	
FU2,3	 46-055350300010	GLASS FUSE 3.5A/250V	
FU4	 46-055400300010	GLASS FUSE T4A/250V	
Q301	11-9014C0000021	TR - 9014C	
Q707,708,710	11-2SD1936T0021	TR - 2SD1936T	
U1	16-TA8216H00021	IC - TA8216H	
U2	16-BA4558N00021	IC - BA4558N	
U3	16-BA5417000021	IC - BA5417	
ZD1,2	12-011910320125	ZENER DIODE 9.1V	

RCA/D-S JACK PCB ASSY

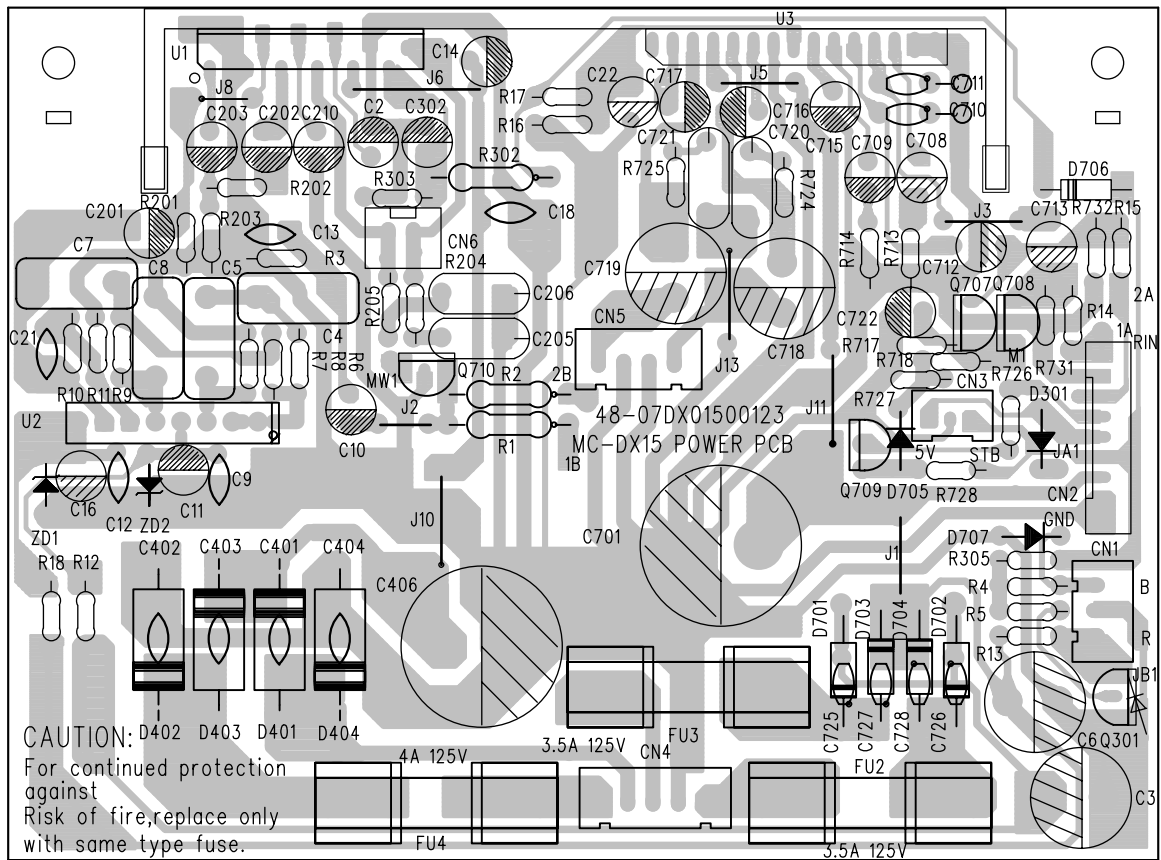
REF. NO	PARTS NO.	DESCRIPTION	REMARKS
	05-08DX220I0010	RCA/D-S JACK PCB ASSY	
	48-08DX01500221	RCA/D-S PCB	
CN801	43-462103003321	D-S TERMINAL #DSW-31	
L801-804	38-103100050320	CHOKE COIL 10UH	
SPK	43-451200006120	RCA JACK 2PIN - TC58-345-32	

IPOD SOCKET PCB ASSY

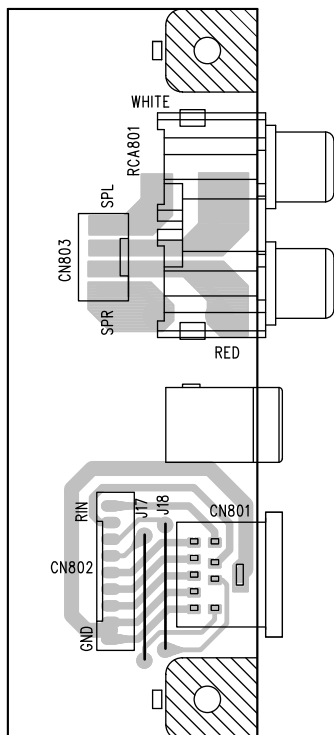
REF. NO	PARTS NO.	DESCRIPTION	REMARKS
	05-08DX220I0000	IPOD SOCKET PCB ASSY	
	05-08DX220I0321	IPOD PCB	
	43-01150023092	IPOD SOCKET 30P	
D1-4	12-1N41480000P1	SMD DIODE 1N4148	
IC1	16-LM324D000021	IC - SM LM324D	
Q1,2	11-KTC9014S0025	SMD TR - KTC9014S	
SW13,14	41-150010050020	TACT SWITCH 5MM	
ZD1	12-011510320125	ZENER DIODE 5.1V	

MC-DX220iDAB

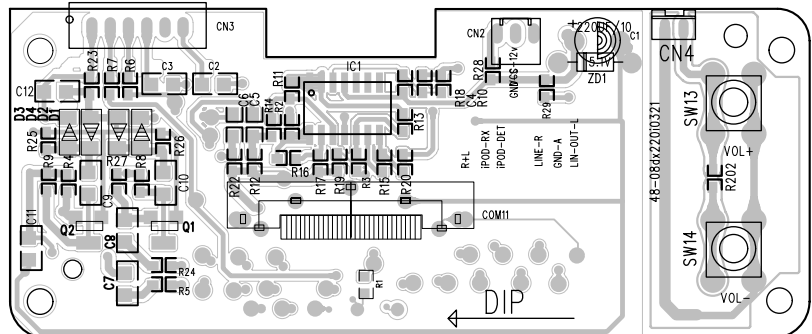
SUBWOOFER POWER PCB



RCA/D-S JACK PCB



IPOD SOCKET PCB



MC-DX220i/MC-DX22i

DISPLAY PCB ASSY

REF. NO	PARTS NO.	DESCRIPTION	REMARKS
	05-04DX220I0010	DISPLAY PCB ASSY	
	48-04DX220I1320	DISPLAY PCB	
CN802	43-022100212120	SMD F.F.C WAFER 1MM 12P	
CN803,808	43-022100212221	SMD F.F.C WAFER 1MM 12P	
CN804	43-022200130120	WAFER 2MM 3P	
CN805	43-022200120120	WAFER 2MM 2P	
D801	12-1N41480000P1	SMD DIODE 1N4148	
IC801	16-GY3700000021	CPU - GY370	
IC802,803	16-74HC37300020	IC - SMD TC74HC373AF	
IC805	16-ST7070000021	IC - ST7070	
LCD	13-05DX220I0120	LCD DISPLAY #KPS-M1145-TW-0	
LED1,2	13-011200121020	LED D2X4MM - WHITE	
LED3-6	13-011206022020	LED D2X4MM - BLUE	
L800	38-013220050020	AXIAL INDUCTOR 22UH	
Q800,803	11-KTC9014S0025	SMD TR - KTC9014S-C	
Q802,804	11-8550C0000025	TR - 8550C	
SW1-12	41-150010050020	TACT SW 5MM	
XT801	31-018100002120	CRYSTAL 10MHZ	
XT802	31-015320003310	CRYSTAL 32.768KHZ	
ZD801	12-011240320125	ZENER DIODE 2.4V	

HP PCB ASSY

REF. NO	PARTS NO.	DESCRIPTION	REMARKS
	05-09DX220I0000	HP PCB ASSY	
	48-09DX220I0220	HP PCB	
	43-431360002020	PHONE JACK 3.6MM-TC38-060-01	
	43-431360003020	PHONE JACK 3.6MM-TC38-063-05-01	
L401-403,405	38-013100050120	AXIAL INDUCTOR 10UH	

OPEN SW PCB ASSY

REF. NO	PARTS NO.	DESCRIPTION	REMARKS
	48-23DX220I0220	OPEN SW PCB ASSY	
	41-071200010020	SERIES MICRO SWITCH SD-007A	

CLOSE SW PCB ASSY

REF. NO	PARTS NO.	DESCRIPTION	REMARKS
	48-23DX220I1220	CLOSE SW PCB ASSY	
	41-071200010020	SERIES MICRO SWITCH SD-007A	

LED PCB ASSY



REF. NO	PARTS NO.	DESCRIPTION	REMARKS
	48-16DX01500221	LED PCB ASSY	
	13-011309022020	LED LAMP 3MM - ORANGE/BLUE	

MC-DX220iDAB

CD PCB ASSY

REF. NO	PARTS NO.	DESCRIPTION	REMARKS
	05-30DX220I0010	CD PCB ASSY	
	48-30DX220I0221	CD PCB	
CN2	43-022100212120	SMD F.F.C WAFER 1MM 12PIN	
CN5,6,810	43-022200120120	WAFER 2MM 2 PIN	
CN801	43-022100216220	F.F.C WAFER 1MM 16 PIN	
CN802	43-012150160320	WAFER 1.5MM 6PIN	
CN806	43-022200130120	WAFER 2MM 3 PIN	
D800	12-1N5819000021	RECTIFIER DIODE 1N5819	
D801	12-011430320125	ZENER DIODE 4.3V	
IC801	16-LC78690N0021	IC - LC78690NW-E	
IC802	16-LA6548000021	IC - LA6548NH	
IC803	16-LB1641000021	IC - LB1641	
IC804	16-KA7806000121	IC - KA7806E	
L801,802	38-014100050020	AXIAL INDUCTOR 100UH	
Q801	11-9015C0000021	TR - 9015C	
Q802	11-2SB764E00021	TR - 2SB764-E	
X801	31-048169310120	RESONATOR 16.93MX	

STANDBY PCB ASSY

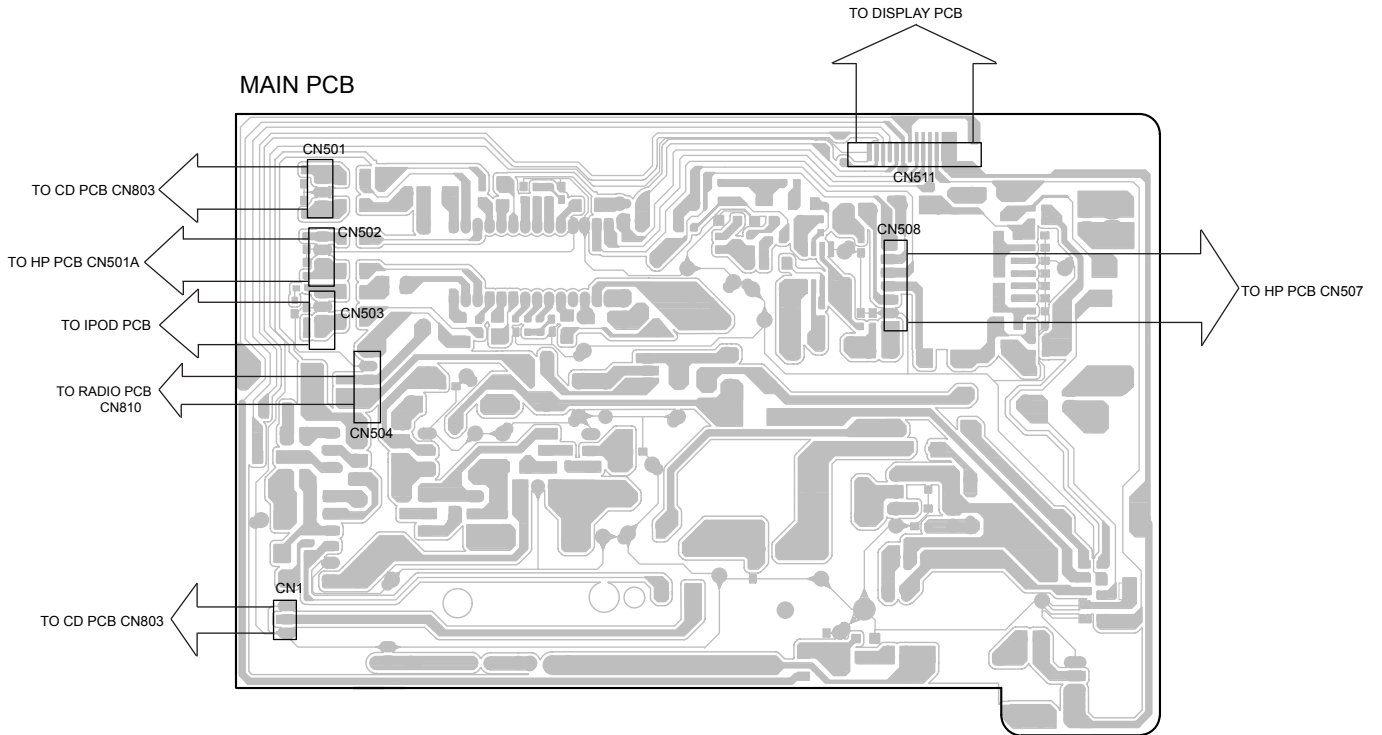
REF. NO	PARTS NO.	DESCRIPTION	REMARKS
	05-03DX220I0010	STANDBY PCB ASSY	
	48-03DX01500123	STANDBY PCB	
CN301	43-012200130120	WAFER 2MM 3PIN	
D309-313	12-1N4001000021	RECTIFIER DIODE - 1N4001	
FU1	 46-074100300020	SUBMINIATURE FUSE 100MA/250V	
Q302	11-9014C0000021	TR - 9014C	
Q303	16-HT7550000021	IC - HT7550-1	
RL301	46-50MC23000000	RELAY ME-7-009	
T301	 18-205DX0150190	TRANSFORMER EI28 - HF-V28A58	

SENSOR PCB ASSY

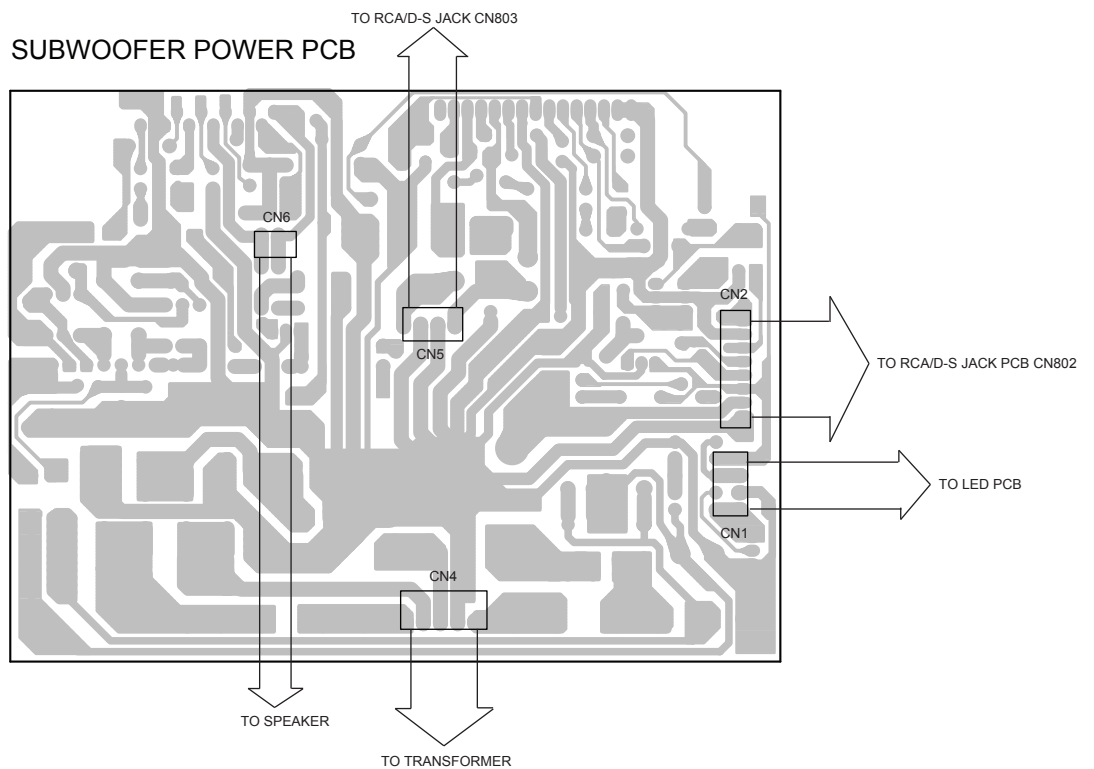
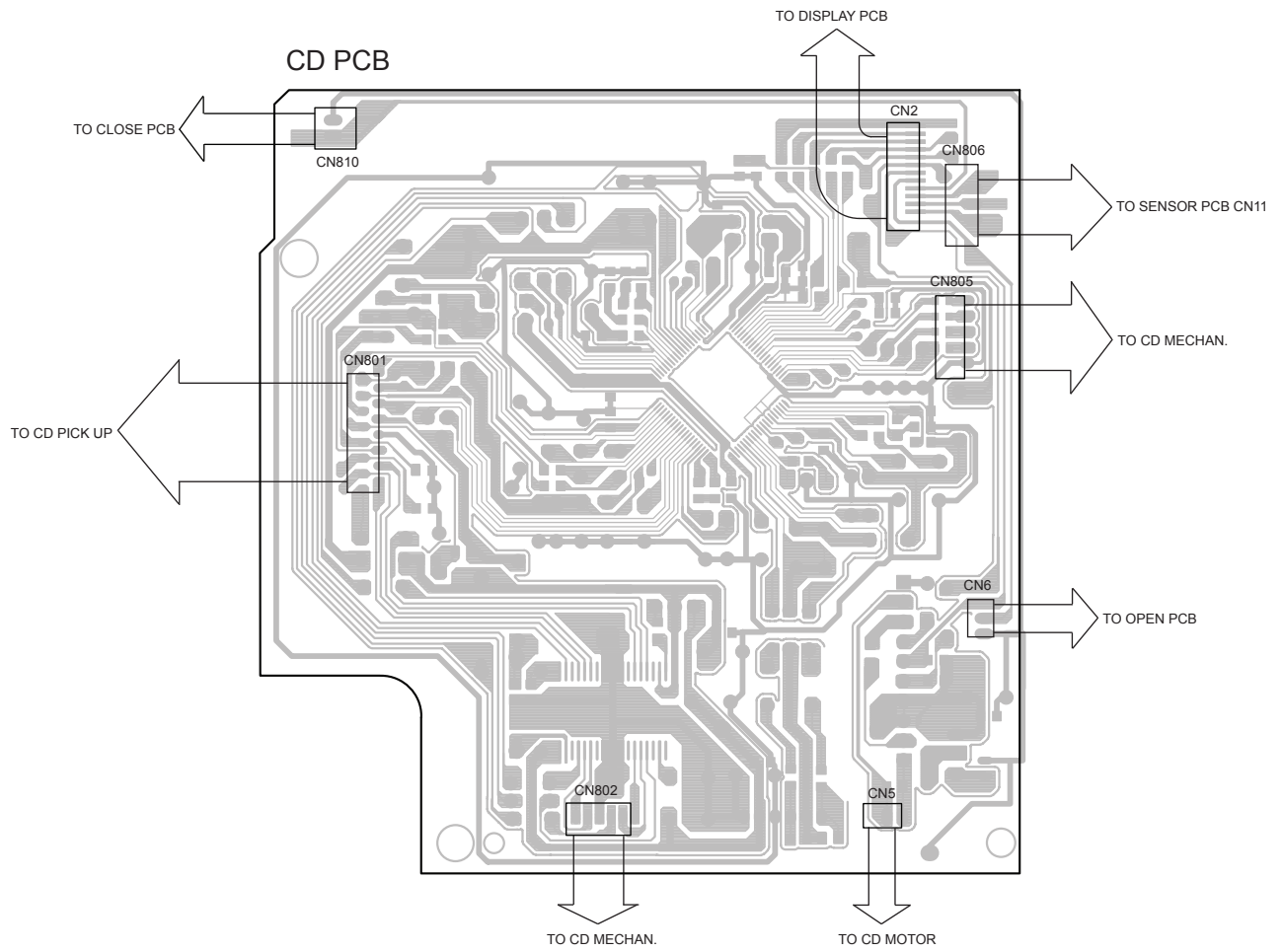
REF. NO	PARTS NO.	DESCRIPTION	REMARKS
	05-27DX220I0000	SENSOR PCB ASSY	
	48-27DX220I0220	SENSOR PCB	
	17-05FM60380012	OPTIC SENSOR FM-6038TM2-5AN	

MC-DX220iDAB

4 WIRING DIAGRAM



MC-DX220iDAB



MC-DX220iDAB

5 INCLUDED ACCESSORIES

INCLUDED ACCESSORIES

REF. NO	PARTS NO.	DESCRIPTION	REMARKS
	77-20DX220I0320	INSTRUCTION BOOK	
	45-194185000020	DAB ANT L=1.85M PLUG	
	45-164250051020	SPEAKER CABLE - WHITE	
	45-164250151020	SPEAKER CABLE - RED	
	51-021301000080	LITHIUM BATTERY CR2032	
	45-244200059010	9 PIN S TERMINAL CABLE - GREY	
	45-263500000120	CONNECT CORD 3.5 ST/PLUGx2	
	02-17DX220I0010	REMOTE CONTROL - RC1104	

MC-DX220iDAB

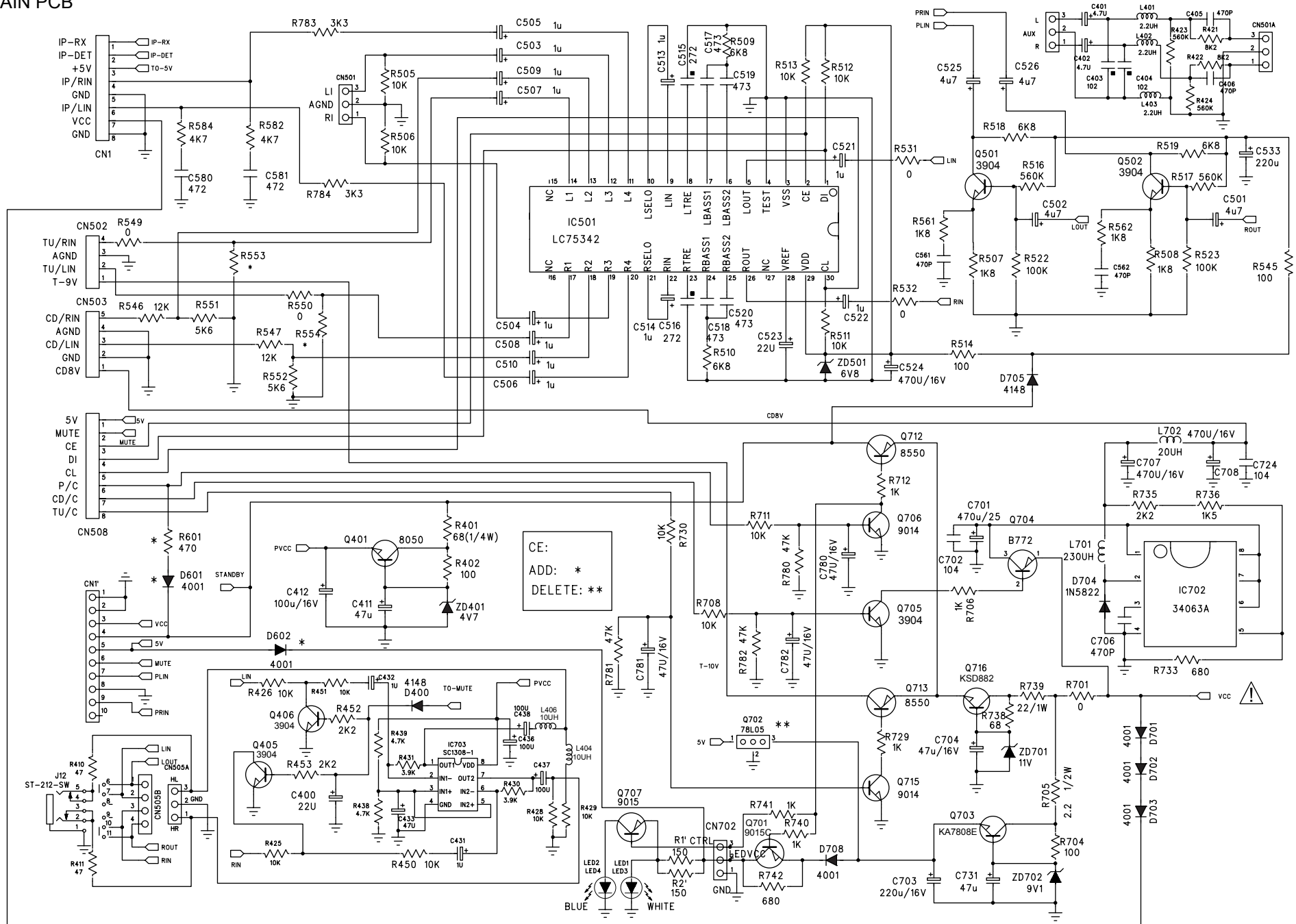
TEAC

TEAC CORPORATION	3-7-3 Nakacho, Musashino-shi, Tokyo 180-8550, Japan Phone:(0422)52-5081
TEAC AMERICA, INC.	7733 Telegraph Road, Montebello, California 90640 Phone: (323)726-0303
TEAC CANADA LTD.	5939 Wallace Street, Mississauga, Ontario L4Z 1Z8, Canada Phone: (905)-890-8008
TEAC MEXICO, S.A.De C.V.	Campesinos N°184, Colonia.Granjas Esmeralda, Delegacion Iztapalapa, CP 09810, Mexico DF Phone: (525)-581-5500
TEAC UK LIMITED	Unit 19 & 20, The Courtyards, Hatters Lane, Watford, Hertfordshire, WD18 8TE5, U.K. Phone:(0845) 130-2511
TEAC EUROPE GmbH	Bahnstrasse 12, 65205 Wiesbaden-Erbenheim, Germany Phone: 0611-71580
TEAC ITALIANA S.p.A.	Via C, Cantu 9/A, 20092 Cinisello Balsamo, Milano, Italy Phone:02-66010550
TEAC AUSTRALIA PTY., LTD.	280 William Street, Melbourne VIC 3000, Australia Phone:(03)9672-2400
A.B.N. 80 005 408 462	

MAY 2007

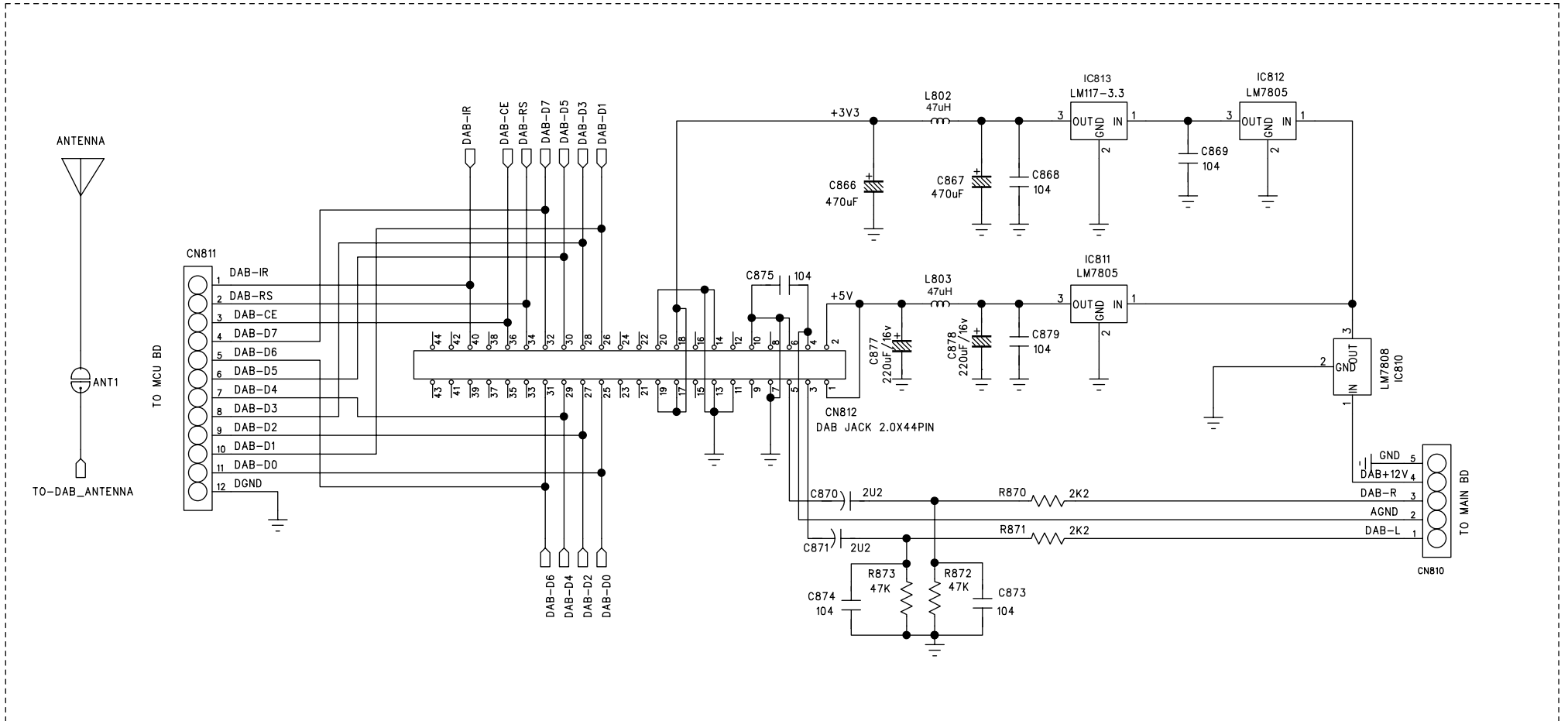
PREPARED IN HONG KONG

MAIN PCB



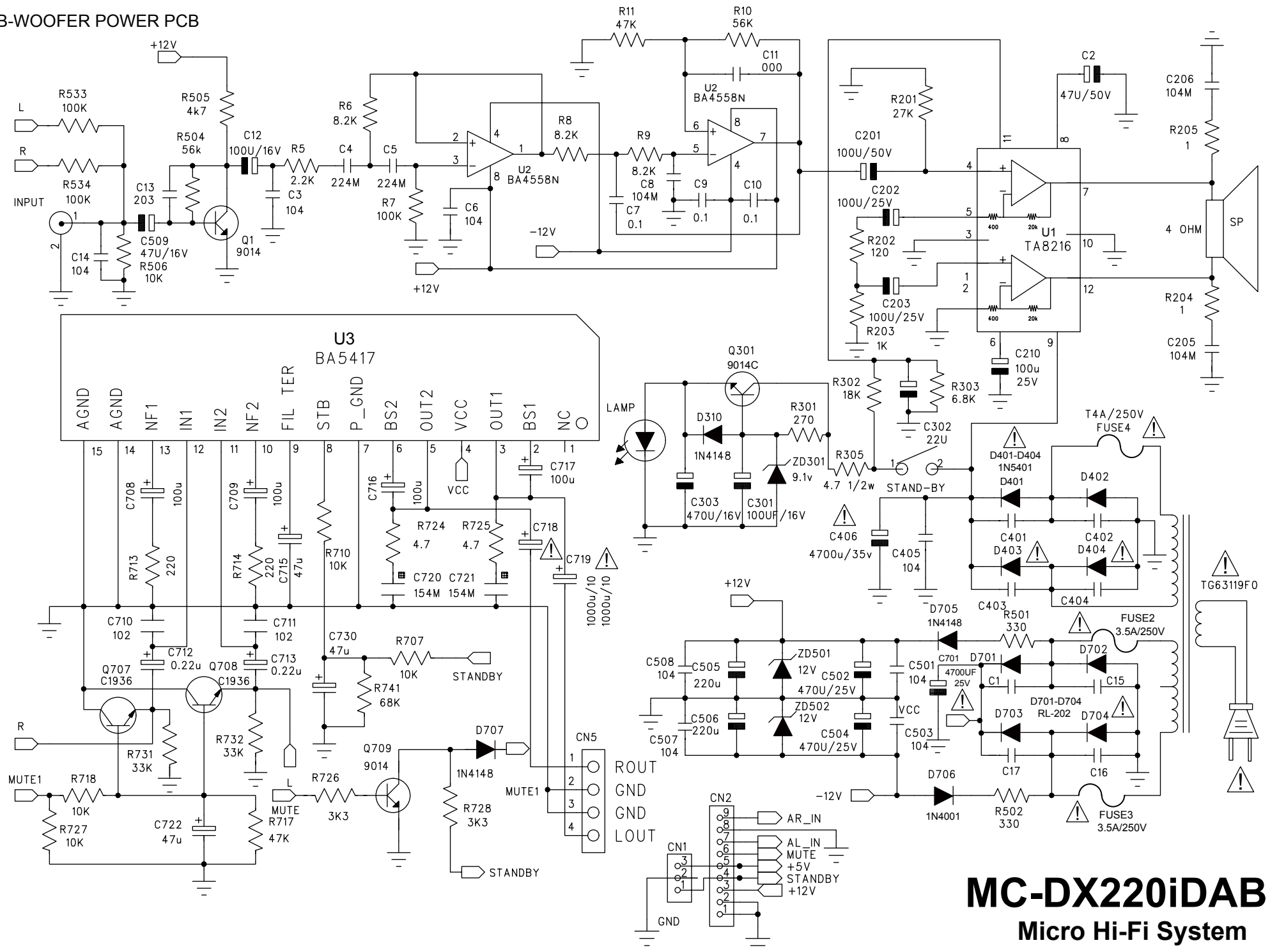
MC-DX220iDAB
Micro Hi-Fi System

RADIO PCB



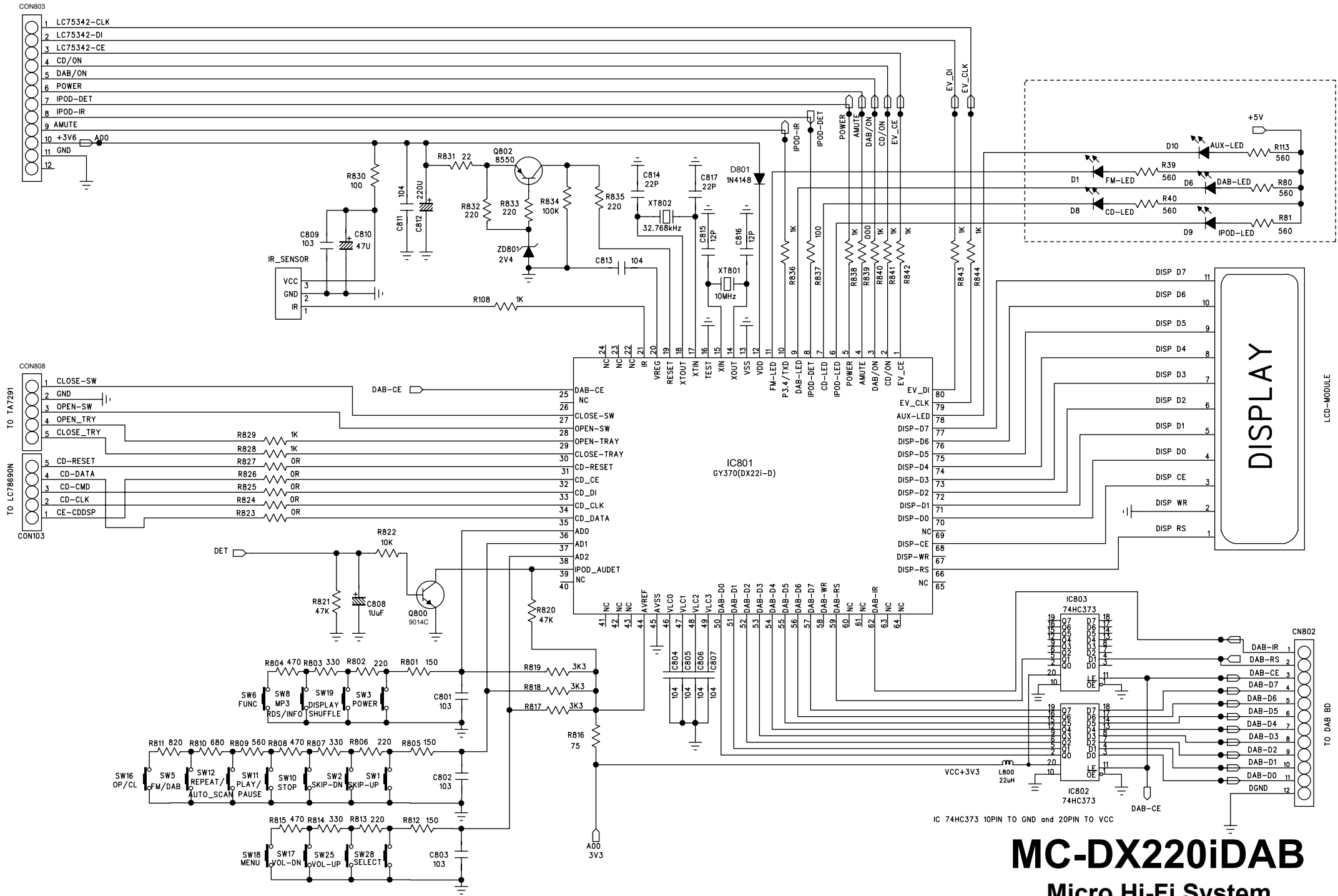
MC-DX220iDAB
Micro Hi-Fi System

SUB-WOOFER POWER PCB

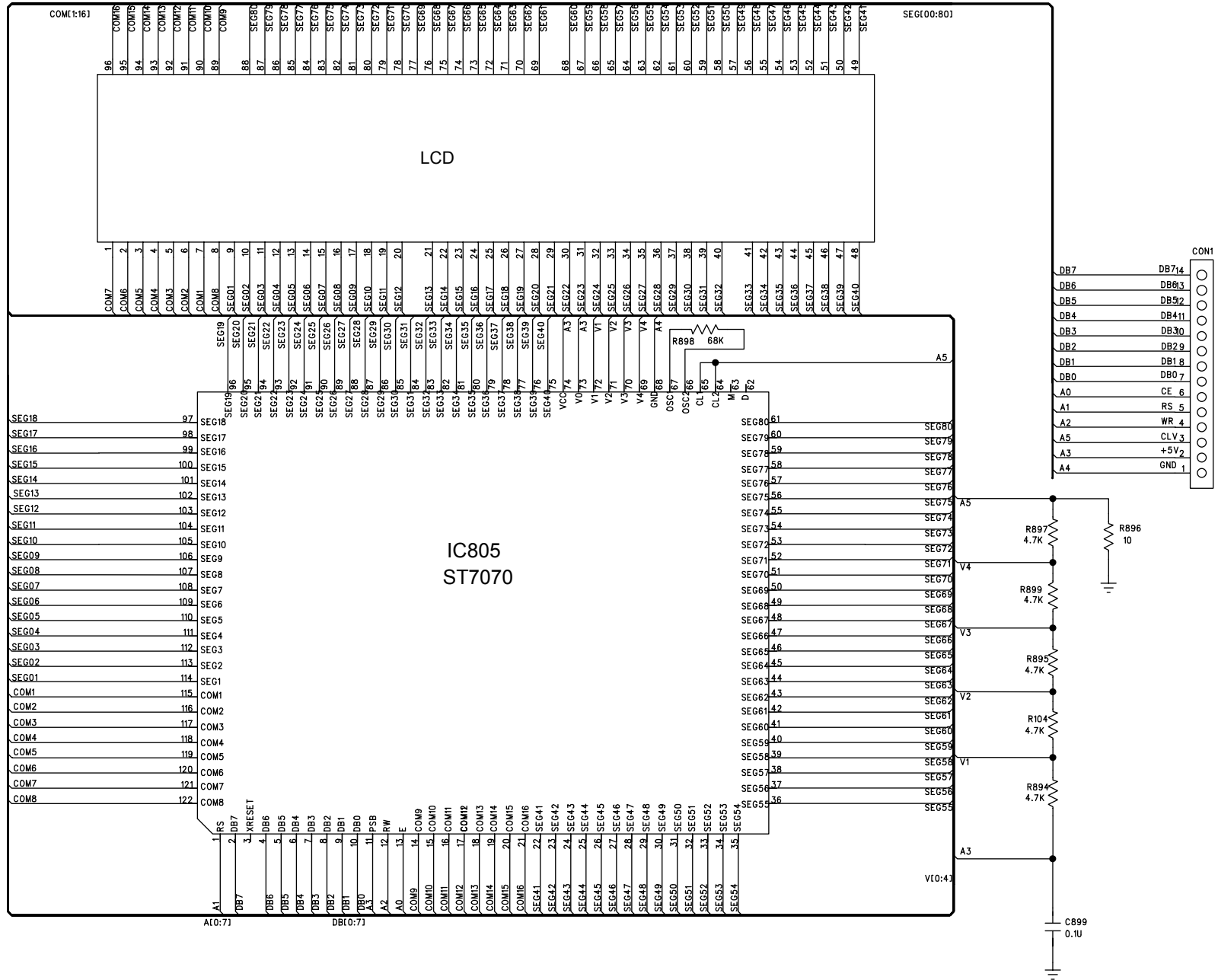


MC-DX220iDAB
Micro Hi-Fi System

DISPLAY PCB

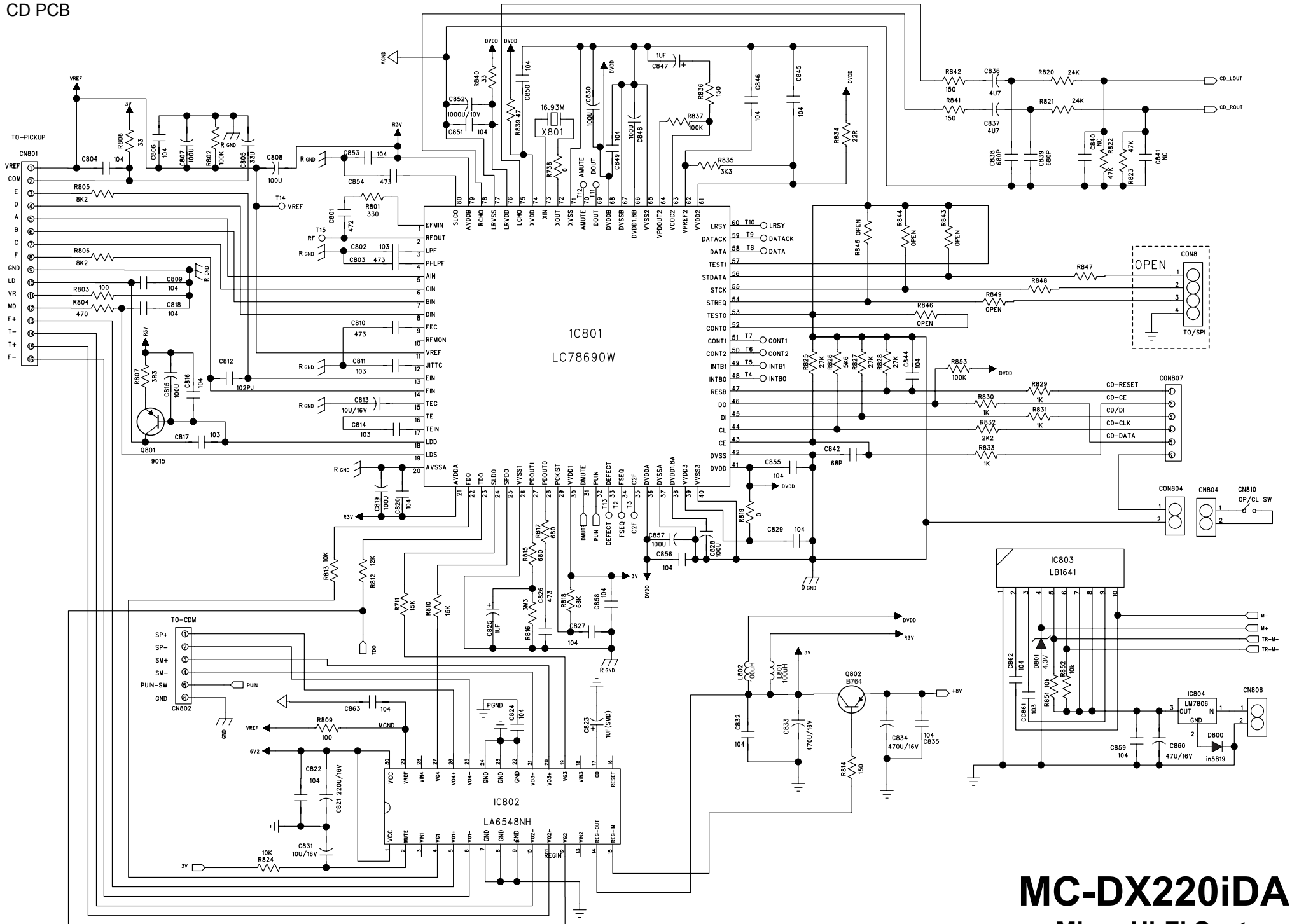


MC-DX220iDAB Micro Hi-Fi System



MC-DX220iDAB

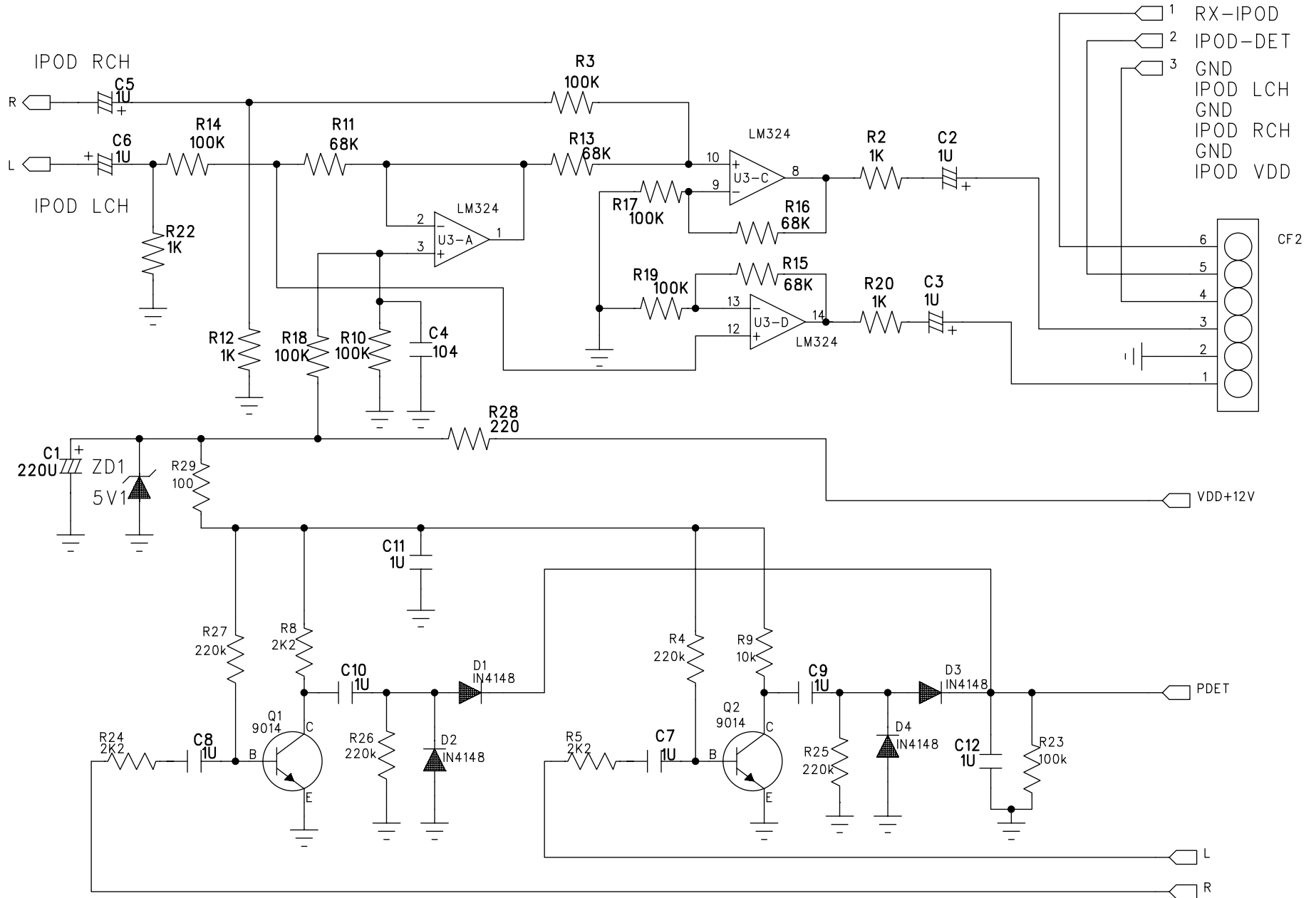
Micro Hi-Fi System



MC-DX220iDAB

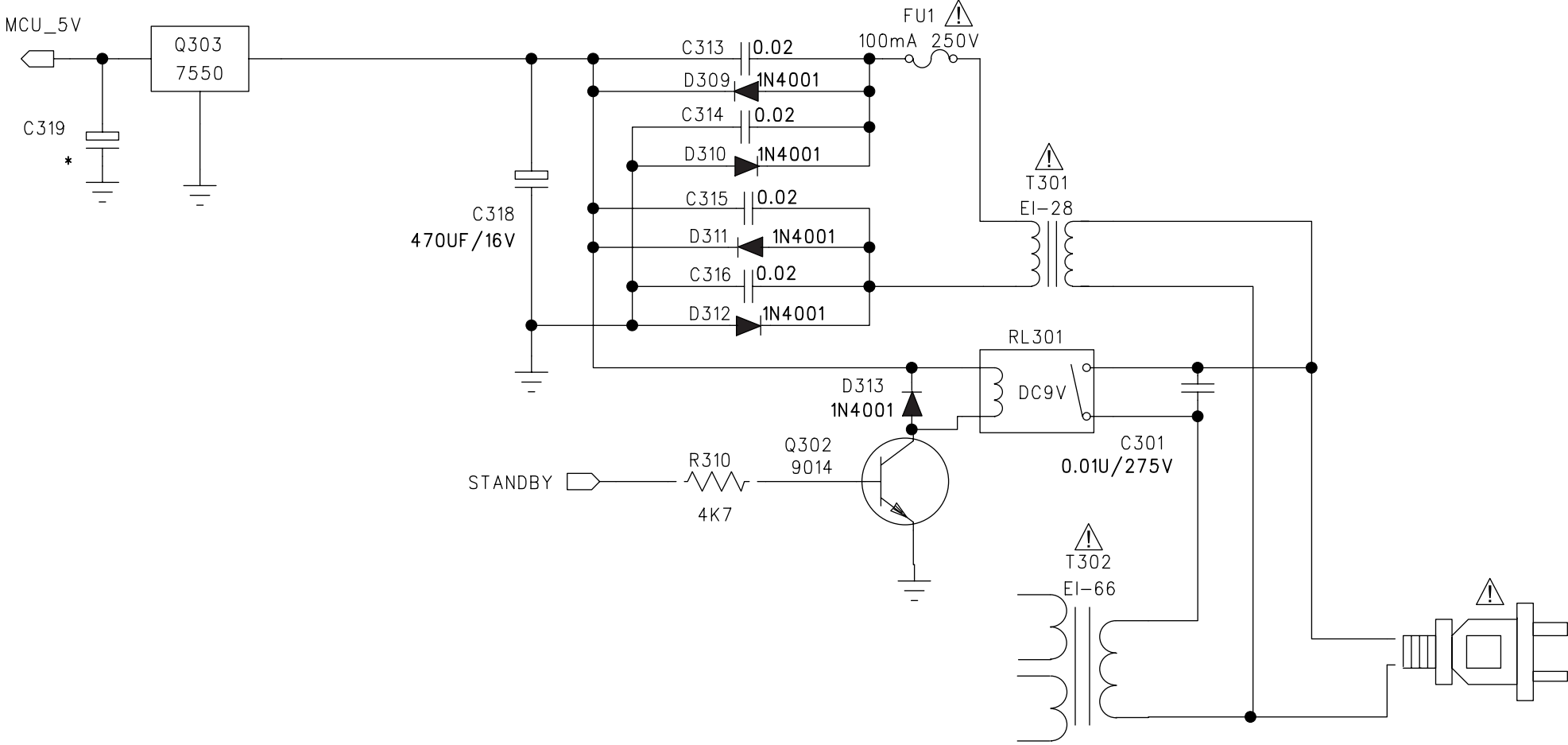
Micro Hi-Fi System

IPOD PCB



MC-DX220iDAB
Micro Hi-Fi System

STANDBY PCB



MC-DX220iDAB
Micro Hi-Fi System